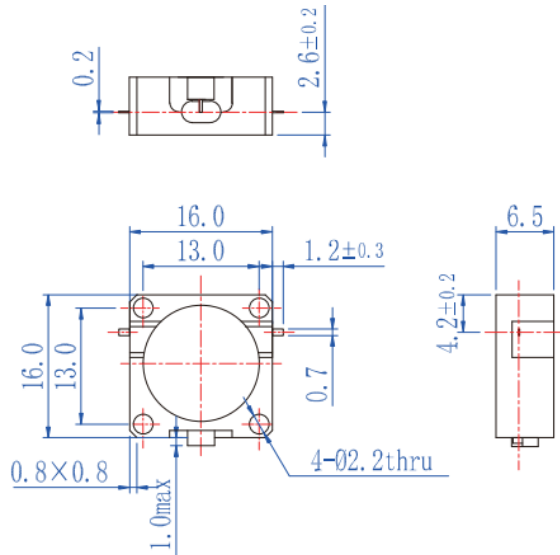


**Type: Drop-in Isolator series**
**Model no.: YXDI102K11**
**Features**

1. Frequency range is from 1100MHz to 2500MHz
2. Reliable performance and competitive cost guaranteed by high quality materials and optimized design.
3. Customized Designs are available per request

Electronic parameters at room temperature (25°C aro.)

P/N.	Frequency Range	Relative Bandwidth	Insertion Loss	Isolation	VSWR	Operating Temp.	Forward Power	Reverse Power	Direction	Connector
	(MHz)		(dB.Max)	(dB.Min)	(Max)	(°C)	(W)	(W)		
YXDI102K11	1100-2500	5%	0.3	23	1.2	-40 ~ +85	10	-	Clockwise	Stripline
		(90MHz)							or Counter clockwise	

**Mechanical Dimensions (unit: mm)**


Pls provide below information when inquiring

The specific working frequency range

- 1- Required specification on IL, Isolation and VSWR
- 2- Power handling
- 3- Connector type
- 4- Other specific requirement details