

Type: Coaxial Isolator series
Model no.: YXCI0101
Features

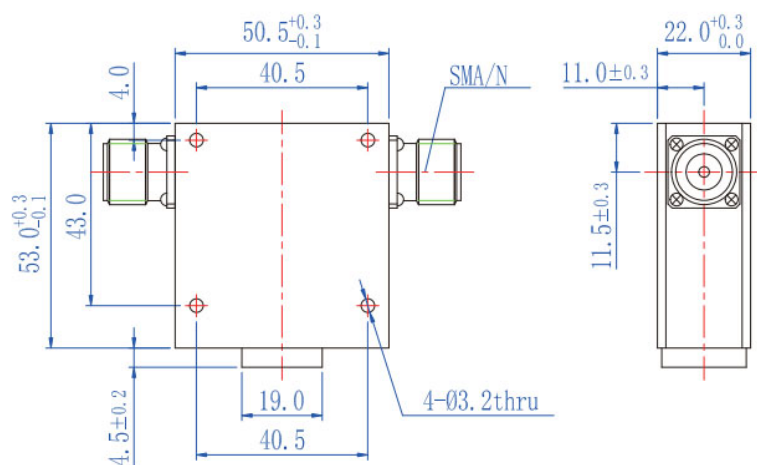
1. Frequency range is from 0.2GHz to 0.3GHz
2. Reliable performance and competitive cost guaranteed by high quality materials and optimized design.
3. Customized Designs are available per request

Electronic parameters at room temperature (25°C aro.)

P/N.	Frequency Range	Relative Bandwidth	Insertion Loss	Isolation	VSWR	Operating Temp.	Forward Power	Reverse Power	Direction	Connector
	(GHz)		(dB.Max)	(dB.Min)	(Max)	(°C)	(W)	(W)		
YXCI0101	0.2-0.3	10%	0.5	18	1.3	-0 ~ +60	10	-	-	N/SMA
		(25MHz)								

Mechanical Dimensions (unit: mm)

Pls provide below information when inquiring



The specific working frequency range

- 1- Required specification on IL, Isolation and VSWR
- 2- Power handling
- 3- Connector type
- 4- Other specific requirement details

Quanzhou Seven Sunlight Electronic Co., Ltd.

 Web: www.sevensunlight.com Email: sales@sevensunlight.com