

**Type: Coaxial Isolator series**
**Model no.: YXCI0701B**
**Features**

1. Frequency range is from 0.5GHz to 1.0GHz
2. Reliable performance and competitive cost guaranteed by high quality materials and optimized design.
3. Customized Designs are available per request

Electronic parameters at room temperature (25°C aro.)

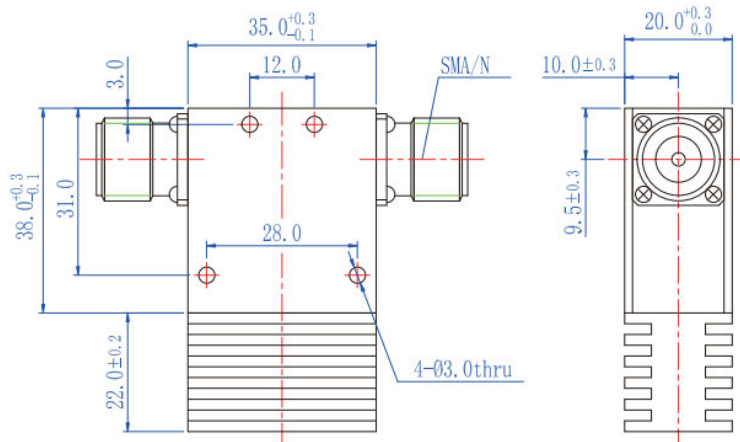
| P/N.      | Frequency Range | Relative Bandwidth | Insertion Loss | Isolation | VSWR  | Operating Temp. | Forward Power | Reverse Power | Direction | Connector |
|-----------|-----------------|--------------------|----------------|-----------|-------|-----------------|---------------|---------------|-----------|-----------|
|           | (GHz)           |                    | (dB.Max)       | (dB.Min)  | (Max) | (°C)            | (W)           | (W)           |           |           |
| YXCI0701B | 0.5-1.0         | 10%                | 0.4            | 23        | 1.2   | -30 ~ +70       | 100           | -             | -         | N/SMA     |
|           |                 | (75MHz)            |                |           |       |                 |               |               |           |           |

Mechanical Dimensions (unit: mm)

Pls provide below information when inquiring

The specific working frequency range

- 1- Required specification on IL, Isolation and VSWR
- 2- Power handling
- 3- Connector type
- 4- Other specific requirement details



Quanzhou Seven Sunlight Electronic Co., Ltd.

 Web: [www.sevensunlight.com](http://www.sevensunlight.com) Email: sales@sevensunlight.com